

# Syndromal XLID Genes

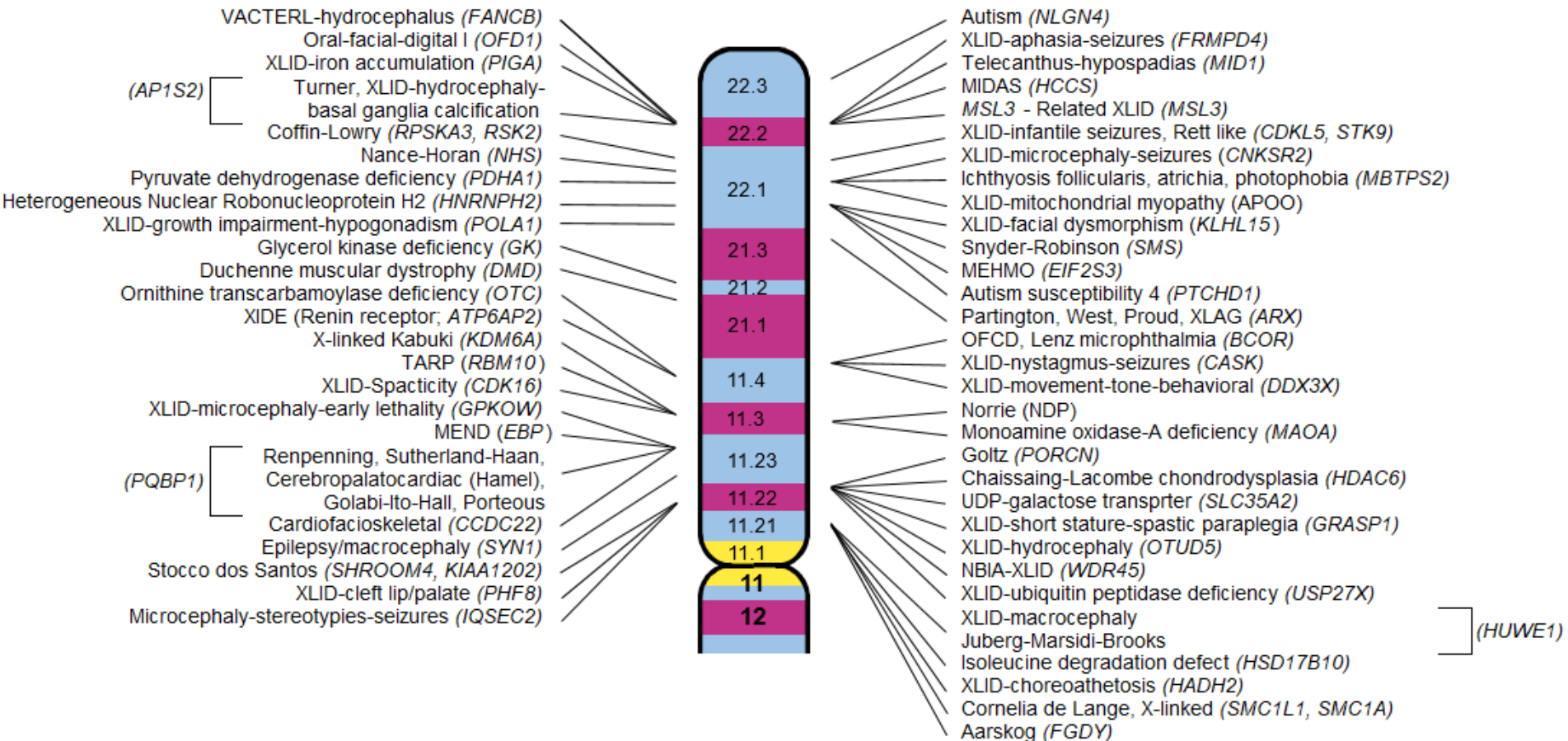
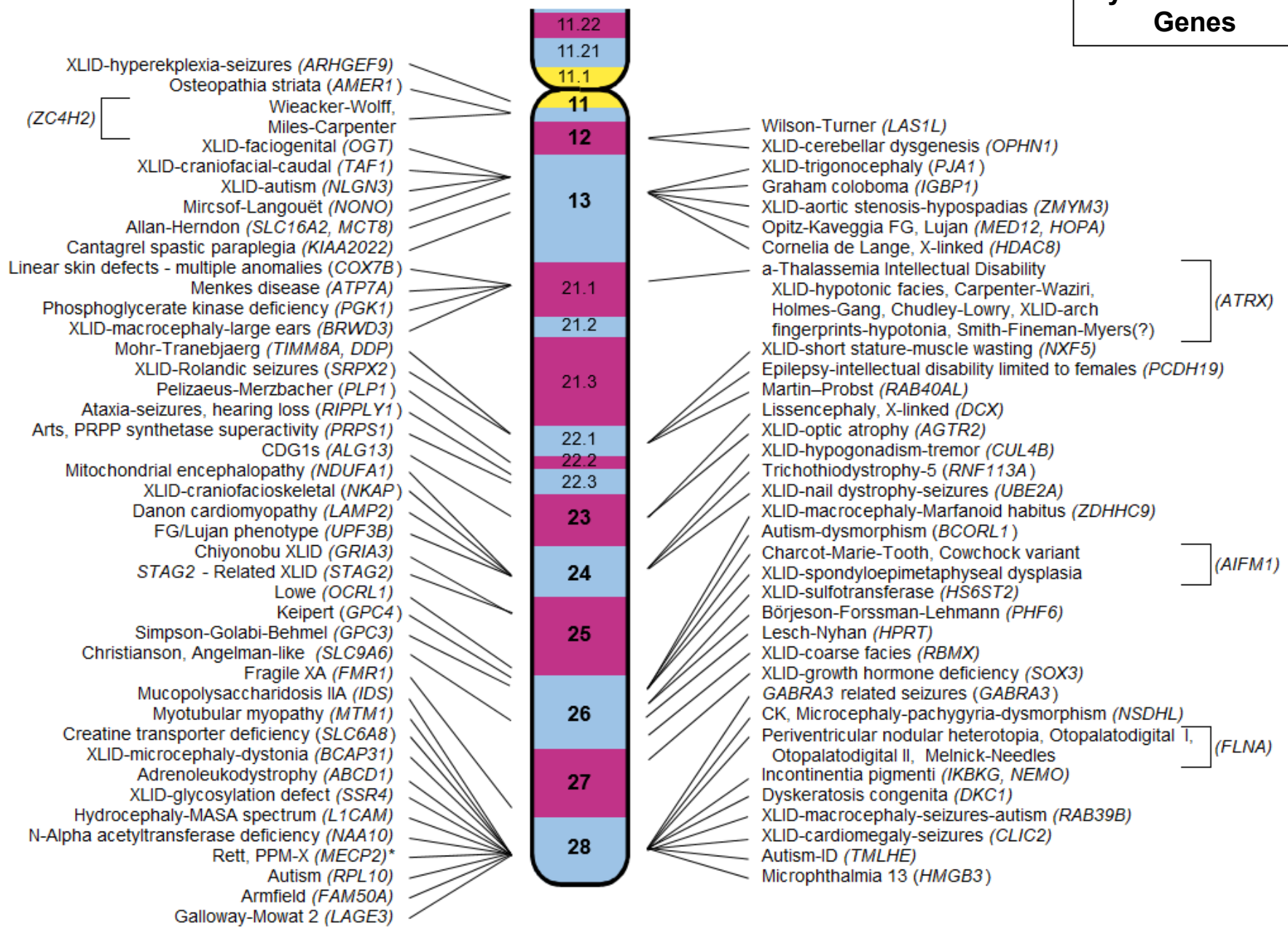


Figure 1A - Greenwood Genetic Center, updated Feb 2021

# Syndromal XLID Genes



\*XLID-hypotonia-recurrent infections (*MECP2* dup)

Figure 1B - Greenwood Genetic Center, updated Feb 2021

# Syndromal XLID (linkage limits)

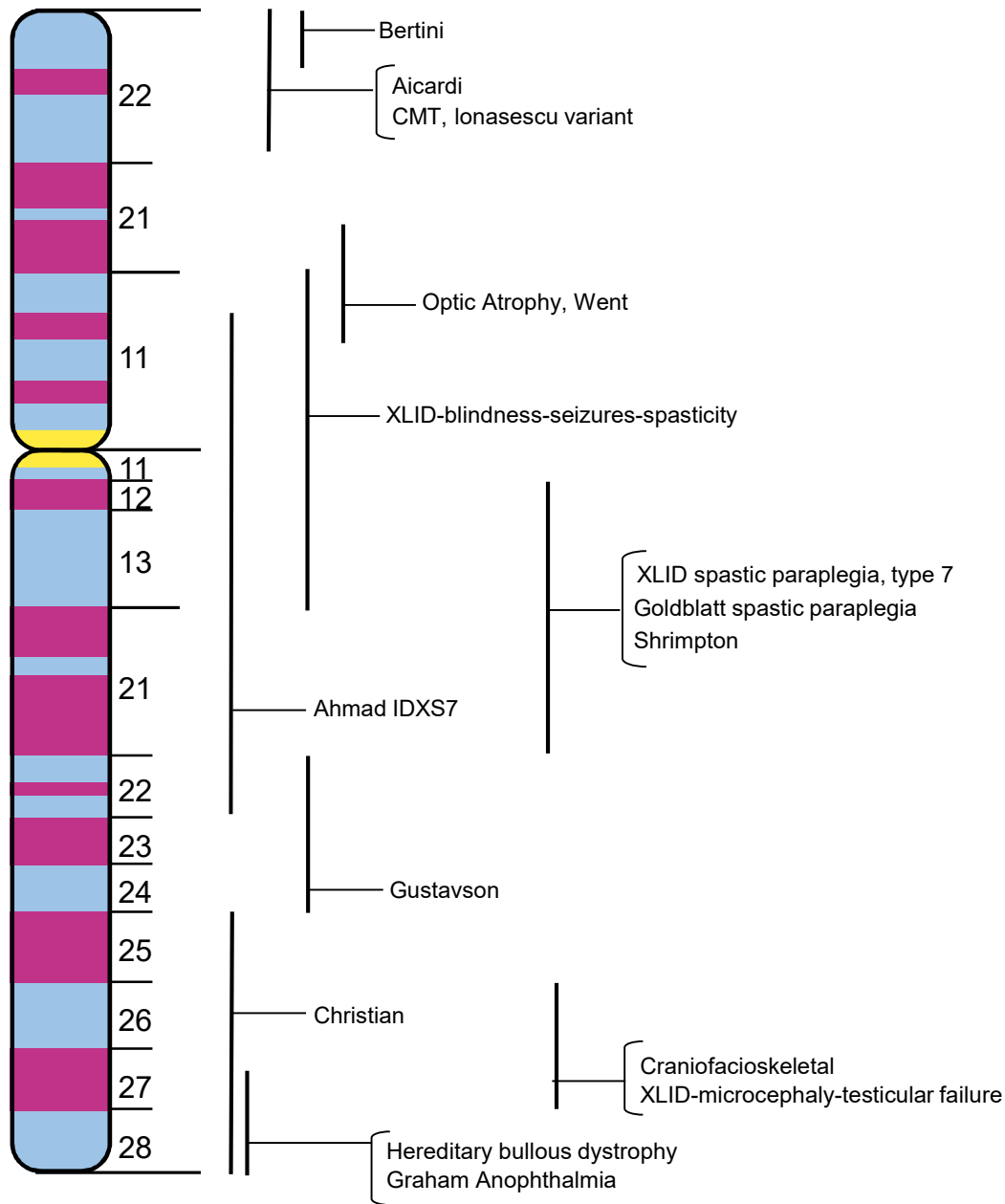
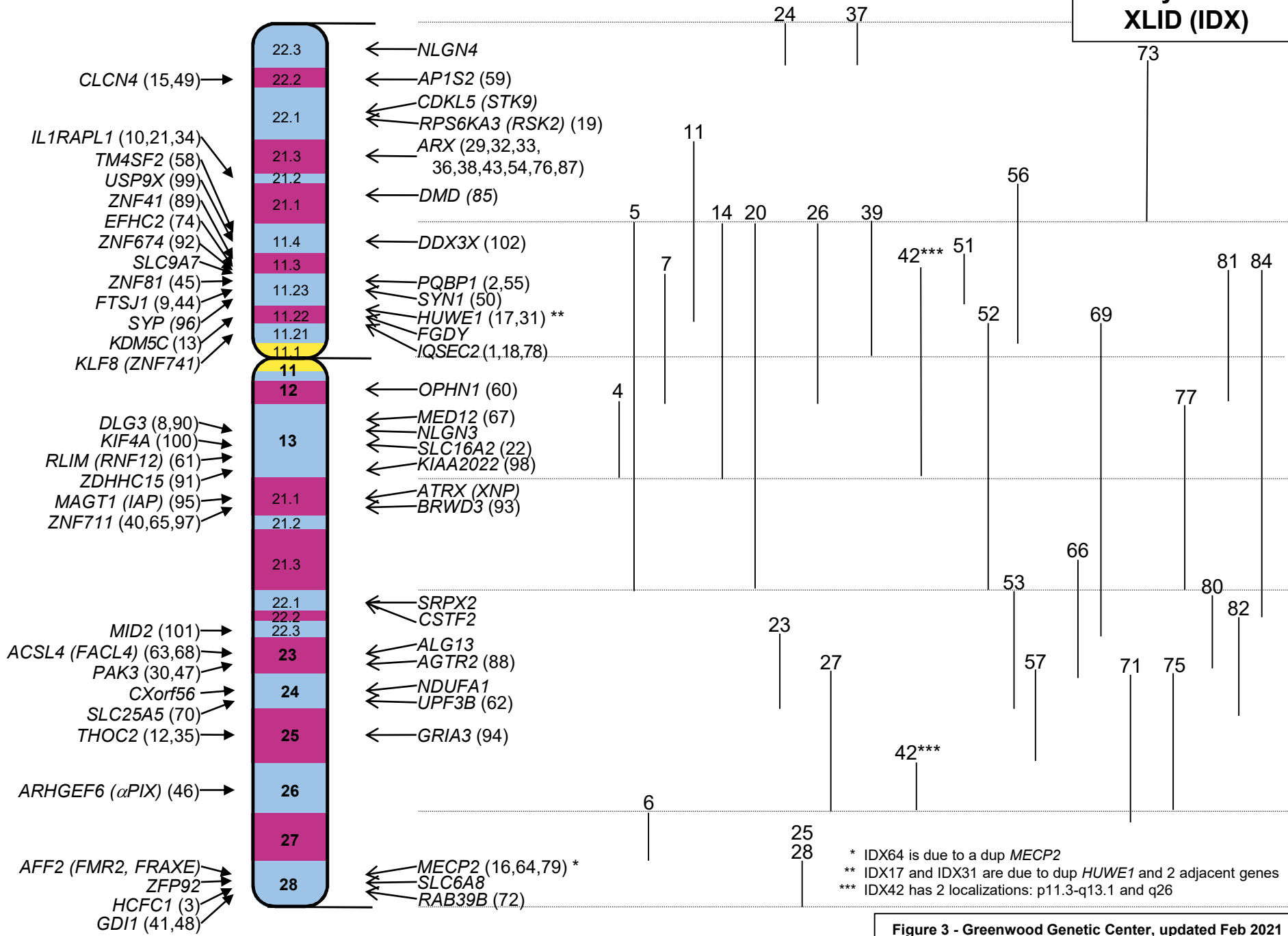


Figure 2 - Greenwood Genetic Center, updated Feb 2021

**Nonsyndromal  
XLID (IDX)**



\* IDX64 is due to a dup MECP2  
 \*\* IDX17 and IDX31 are due to dup HUWE1 and 2 adjacent genes  
 \*\*\* IDX42 has 2 localizations: p11.3-q13.1 and q26

**Figure 3 - Greenwood Genetic Center, updated Feb 2021**